



# QUARTER PALLET TRUCKS

LQHM200 - LQHM300



LogiQ 200

LogiQ 300



## Elegant solution for quarter pallet transportation

Quarter pallet lifters are indispensable equipment for customers, who handle quarterpallets in e.g. supermarkets, storage and packaging areas, and gas stations.

The pallet lifters are small, compact and very easy to operate. The handles have ergonomically correct grippingangles, which ensures the operator a relaxed hold. The wheels ensure a comfortable and noiseless transport - and are gentle to the fine floor and flagstone layer in the customer areas.

Quarter pallet lifters are oftentimes used to move around display pallets in crowded and confined areas (LogiQ 200), and to grab quarter pallets from EUR pallets in storage areas (LogiQ 300).

If you need to take two quarter pallets at the same time - or to reach the last pallet at the far end of a EUR pallet, the DLQ 200 is your preferred helper.

Ergonomically correct handle

CE marking

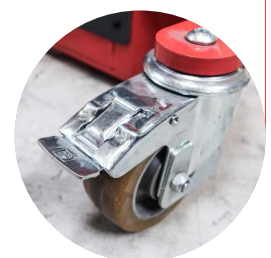
Hydraulic pump with quick lift



Foot protection



Vulkollan wheels ensure a comfortable and noiseless transport



Parking brake

## LogiQ 200

The LogiQ 200 is the ideal solution if you need to move around quarter pallets in customer areas, such as supermarkets, grocery stores, gas stations etc.

The small, manual pallet lifter is easy to operate in crowded and compact areas. The noiseless wheels and compact design allow you to move around in customer areas without disturbing or bumping into the surroundings.

The handle has an ergonomic design for the operator and it only takes one stroke to lift the pallets from the floor. In addition, it has foot protection on the steering wheels.

The capacity is 200 kg.

*We use a special oil for all products, which is tested in cold atmospheres down to at least -10 degrees C.*



## LogiQ 300

The LogiQ 300 is suitable for storage and packaging areas, and other situations, where you need to take a quarter pallet from a EUR pallet and move it to a desired location.

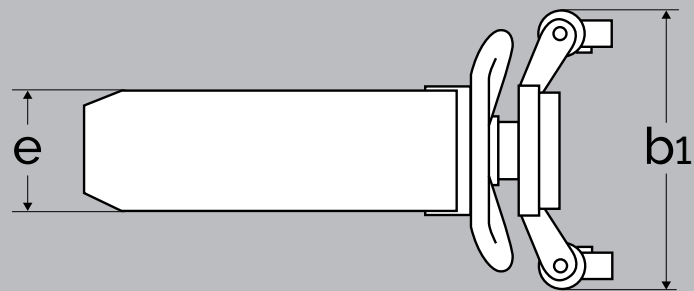
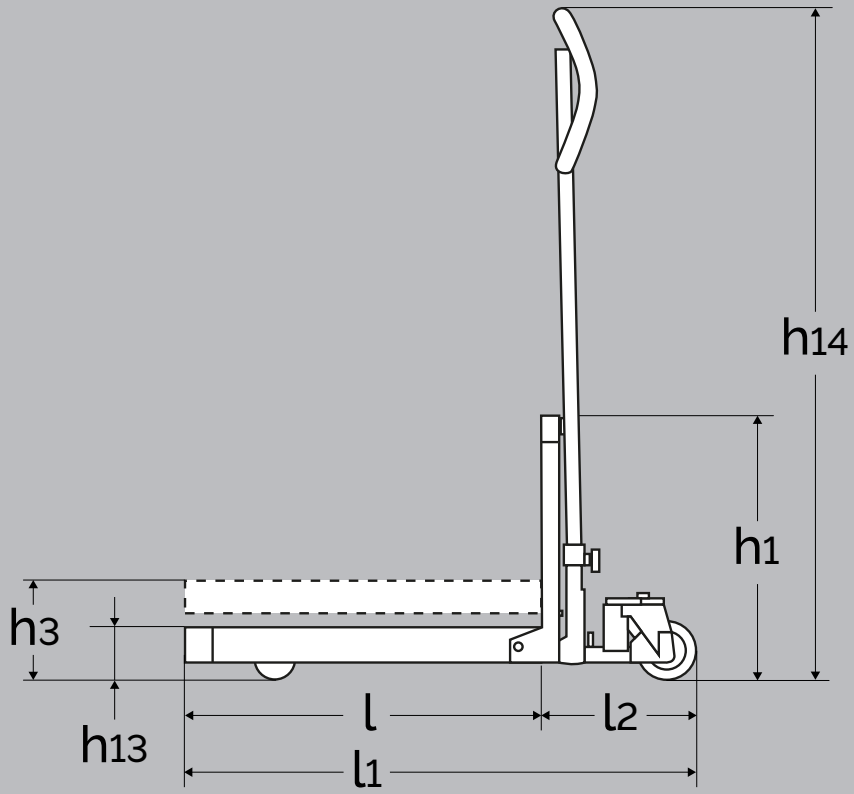
This manual quarter pallet lifter has a hydraulic pump, which minimises the number of pumping strokes needed to lift the pallet. This protects the operator from unnecessary physical strain. It only takes half a pump stroke to lift a pallet from the floor, and 5 strokes to lift to the top.

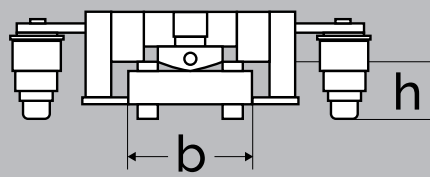
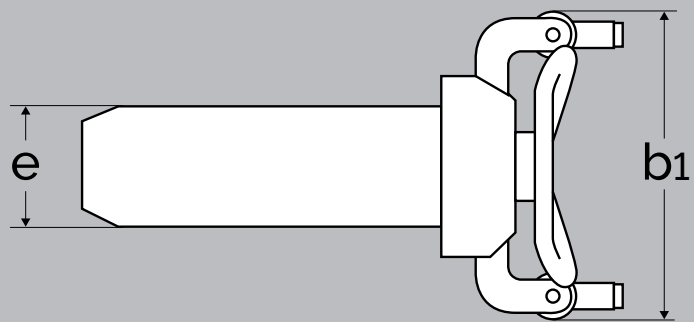
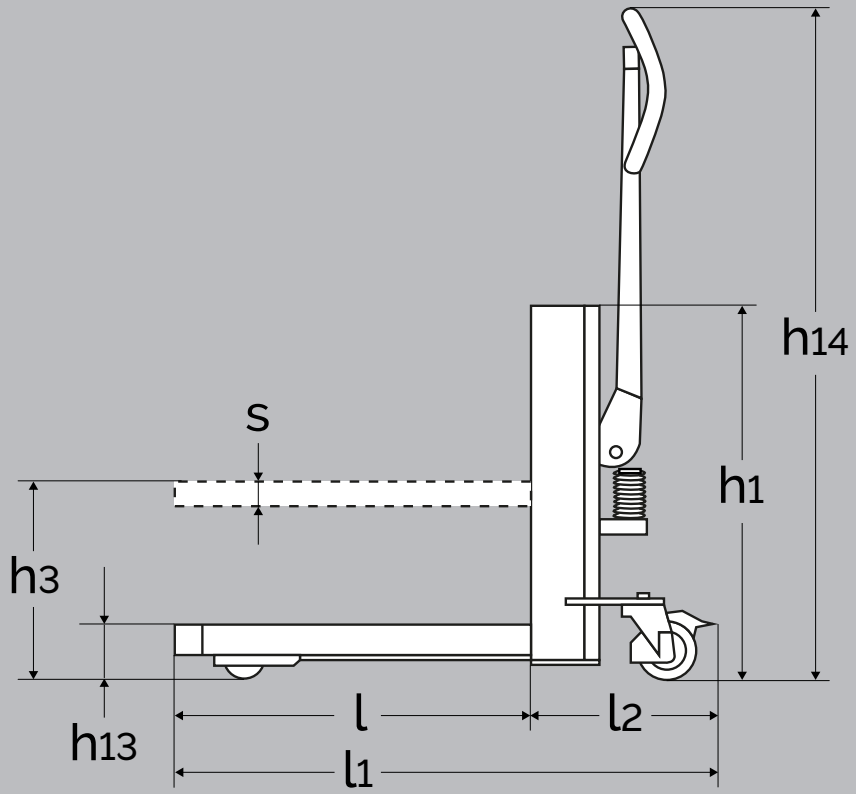
In addition, it is equipped with a parking brake and foot protection on the steering wheels.

The capacity is 300 kg.

*We use a special oil for all products, which is tested in cold atmospheres down to at least -10 degrees C.*







PRODUCT (measured in mm)		LQHM 200	LQHM 300
Capacity in kg		200 kg	300 kg
Lifting height	$h_3$	115	325
Fork length	$l$	600	600
Chassis height without fork	$h$		82
Overall height	$h_1$	470	625
Chassis span	$b$		182
Overall width	$b_1$	455	505
Length without forks	$l_2$	260	300
Overall length	$l_1$	860	900
Lowered height	$h_{13}$	85	85
Fork width	$e$	205	200
Fork thickness	$s$		45
Overall height with handle	$h_{14}$	1040	1170
Weight		22 kg	47 kg



## Ergonomic Lifting Performance

**Logitrans A/S**

+45 76 88 16 00

info@logitrans.com

www.logitrans.com

