



LOGITRANS

ELFMDT / ELFSMDT

**Ergonomic Lifting
Equipment Since 1940**

logitrans.com



Multi drum turner on electric Logiflex

– flexible drum handling!

The Multi drum turner can handle all kinds of drums in the horizontal or vertical position, and of different materials and dimensions: Steel, plastic, small, low, high, square drums.

Rotation and opening/closing of the gripping arms is electric. Also lifting and lowering is electric on the Multi drum turner. Propulsion is manual.

The Multi drum turner has a set of flexible, specially designed grippers, which can be adjusted according to drum type/diameter. The grippers can, without tools, easily be adjusted to fit large and small drums.

Focus on safety – the drums are fixed by flexible grippers, locking plate, top lock and supporting plate.

ELFMDT / ELFSMDT

Efficiency and flexibility

- Handles steel, plastic, small, low, high, square, round drums
- Horizontal or vertical position
- Tailor-made solutions are possible

Durability

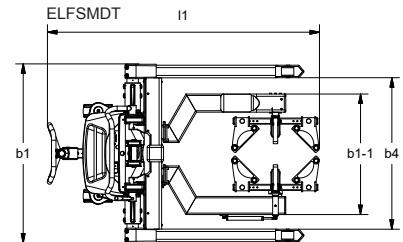
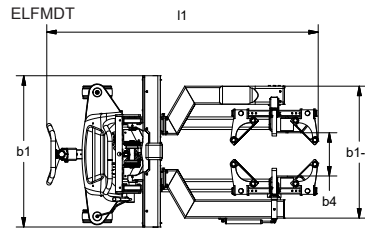
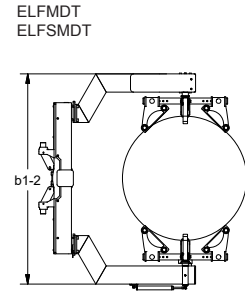
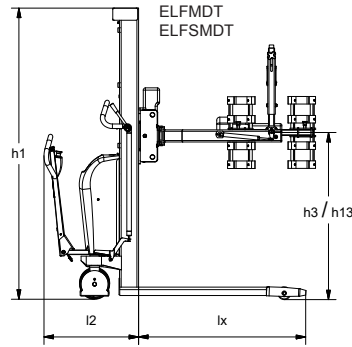
- Strong construction
- Low maintenance costs
- Long operating life

User-friendly handling

- Easy and quick handling of drums
- Ergonomically correct handle

Safety

- Drums are fixed by flexible grippers, locking plate, top lock and supporting plate
- Possible to program stop positions of the clamping arms in order to adjust them to specific drum diameters and/or to prevent damaging clamping of the drum.



Steel, plastic, small, low, high, square drums – no problem!



Touch screen. Log function. Possible to program e.g. several stops, turning angle, speed, rotation. Shows error messages.



Remote control for rotation, lifting/lowering and clamping.



The Multi drum turner is also available for the fully powered Logiflex.

Product (measured in mm)	ELFMDT 1001	ELFMDT 1001	ELFSMDT 1001	ELFSMDT 1001
Capacity in kg	350	350	350	350
Drum diameter	Ø300 to Ø600			
Lifting height	h_3	1800	2100	1800
Rotation function		360°		360°
Overall height	h_1	1930	2240	1930
Overall width	b_1	1000		$166 + b_4$
Overall width arms min.	b_{1-1}	800		800
Overall width arms max.	b_{1-2}	1400		1400
Length without carriage	l_2	590		590
Overall length	l_1	1830		1830
Lowered height	h_{13}	400		400
Width between legs	b_4	316		850 - 942, 942 - 1124, 1124 - 1306, 1240 - 1422
Run-in length	l_x	1100		1100
Turning angle of the wheels		180°		180°
Pump motor			1,1 kW 12 V	
Lifting speed with/without load			0,05 0,07 m/s	
Lowering speed with/without load			0,12 m/s / 0,04 m/s	
Weight in kg (without battery)	465	473	505	513